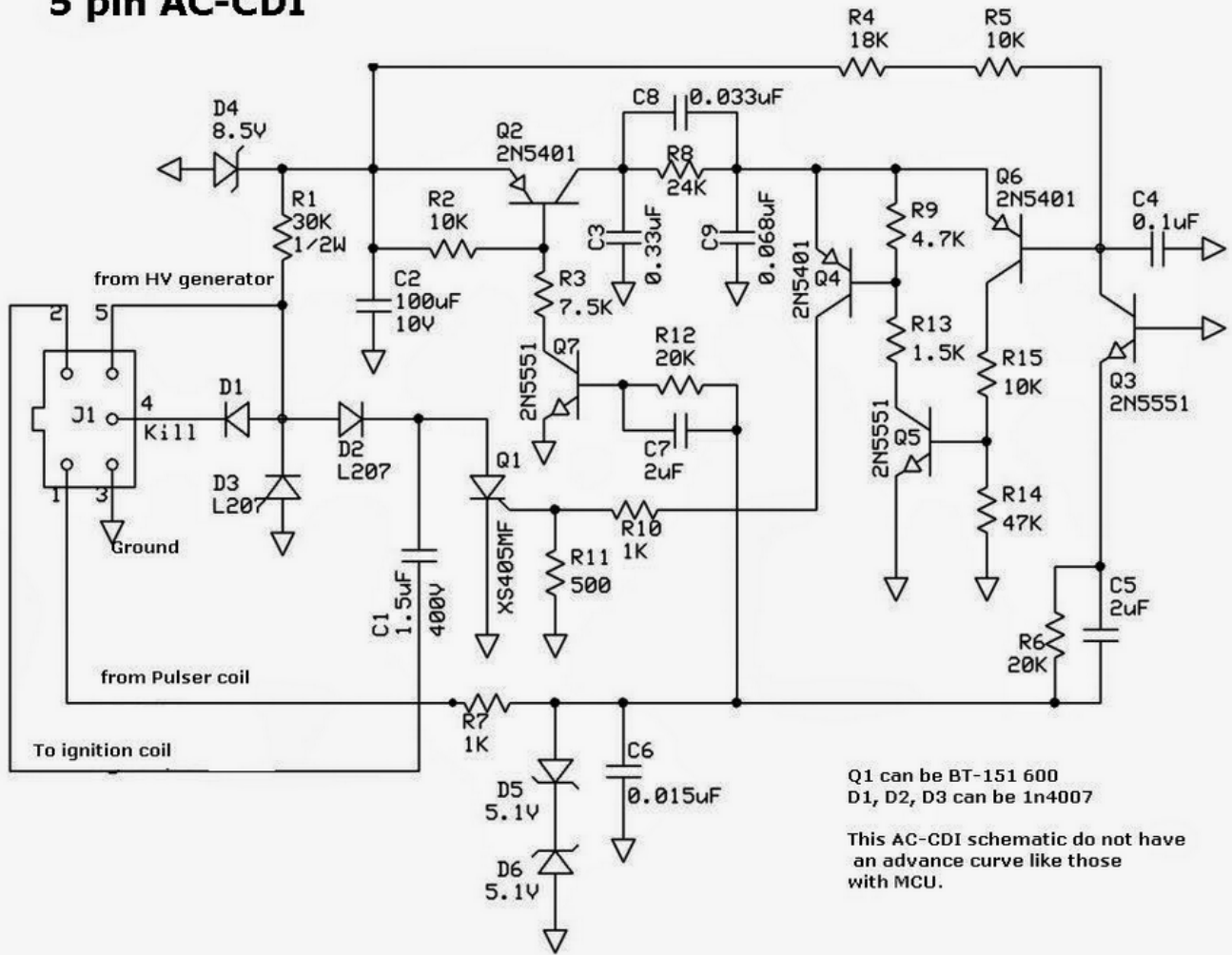
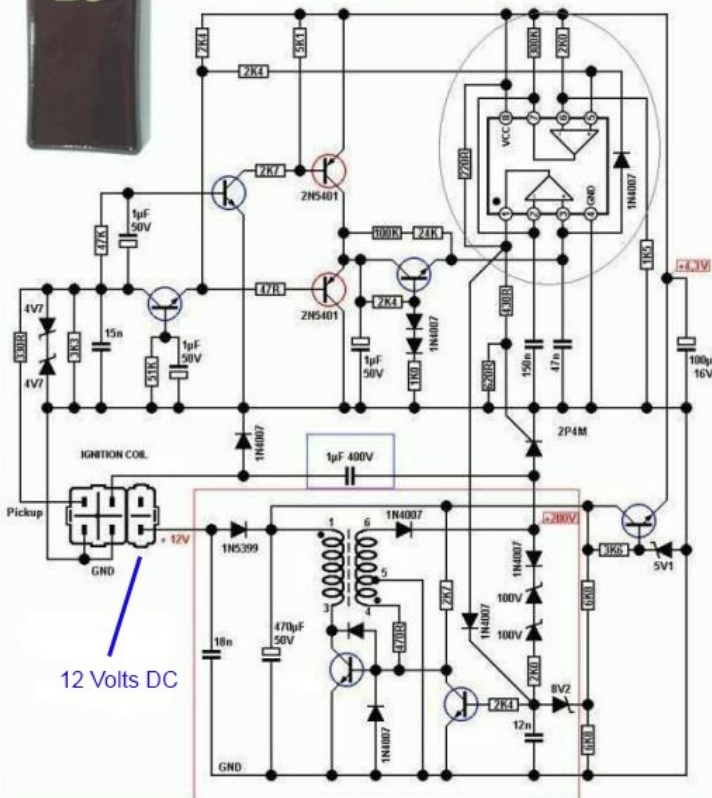


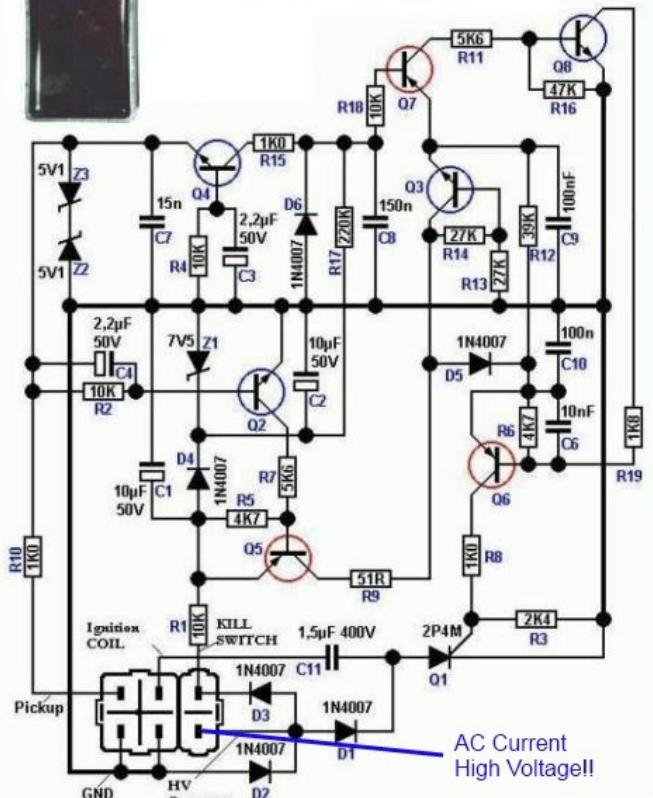
5 pin AC-CDI



DC CDI



AC CDI



AC Fired (Powered) CDI's (6-Pin, 5-Pin, 4 Pin) CDI: Capacitor Discharge Ignition

